

Praktika

New generation of mechanical beds



Patient

- Modern design
- Unique system Ergoframe®



Staff

- Safe relentless positioning
- Easy bed hygiene



Management

- Lifetime durability
- Manufactured in Europe according to EN 60601-2-52



Modern design and lifetime durability

Removable plastic bed ends with locks

1

Removable plastic mattress platform covers

4

Split plastic side rails with colour decor

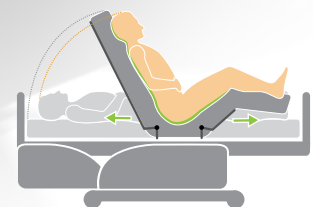
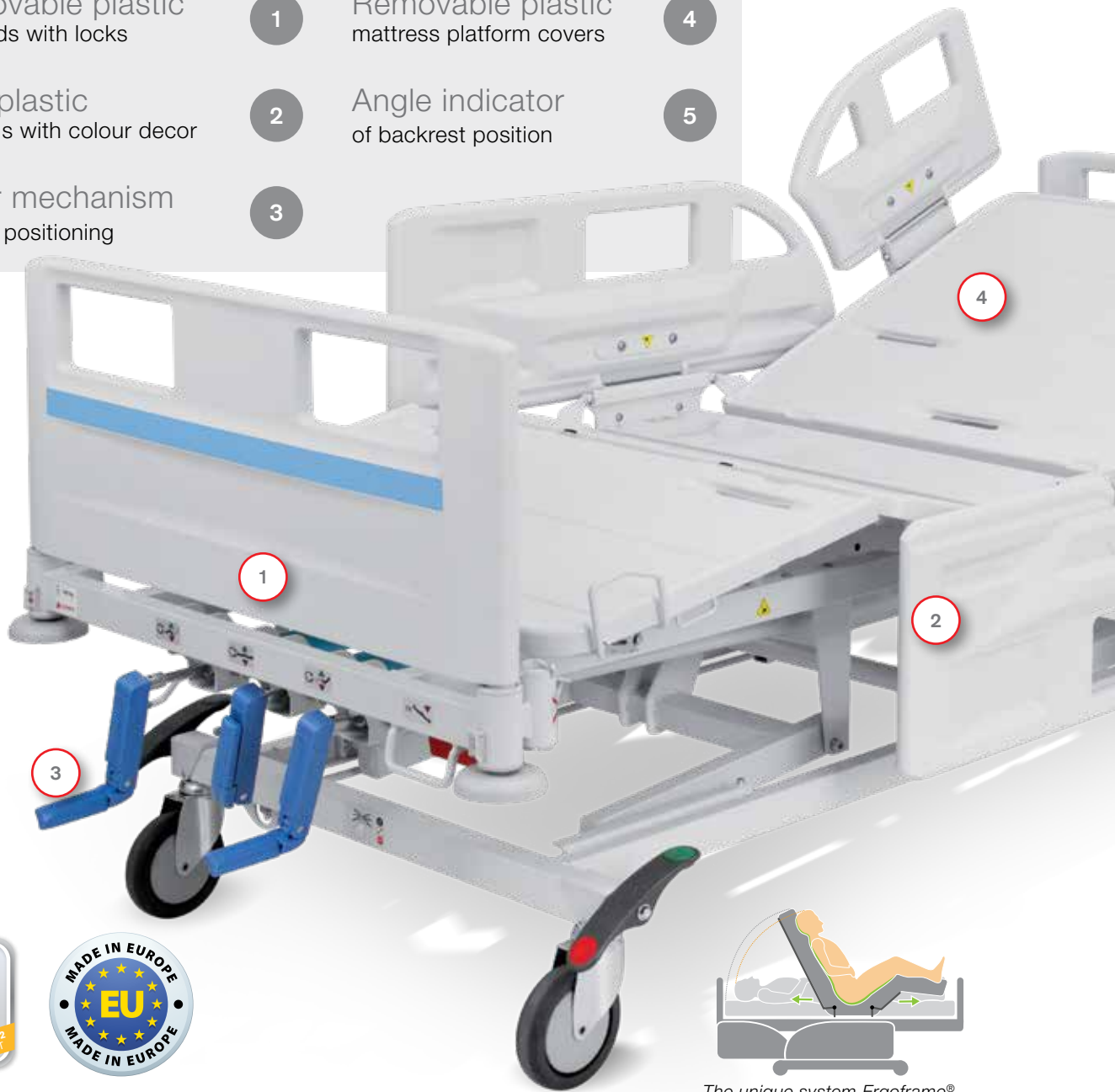
2

Angle indicator of backrest position

5

Lever mechanism for bed positioning

3



The unique system Ergoframe®



The common mattress platform

VARIABLE BED POSITIONING WITH ERGOFRAME®

The Ergoframe® system extends the mattress platform in the pelvic area and reduces the pressure load on the tissues in this region when a patient is positioned in the cardiac chair position.

PRAKTIKA BED IN TWO VERSIONS

New generation of Praktika beds includes Praktika 1 with fixed height of mattress platform. The next version Praktika 2 bed has adjustable height of mattress platform, optionally TR/ATR function and can be centrally braked.



PRACTICAL DETAILS



Locking bed ends



Accessory rail



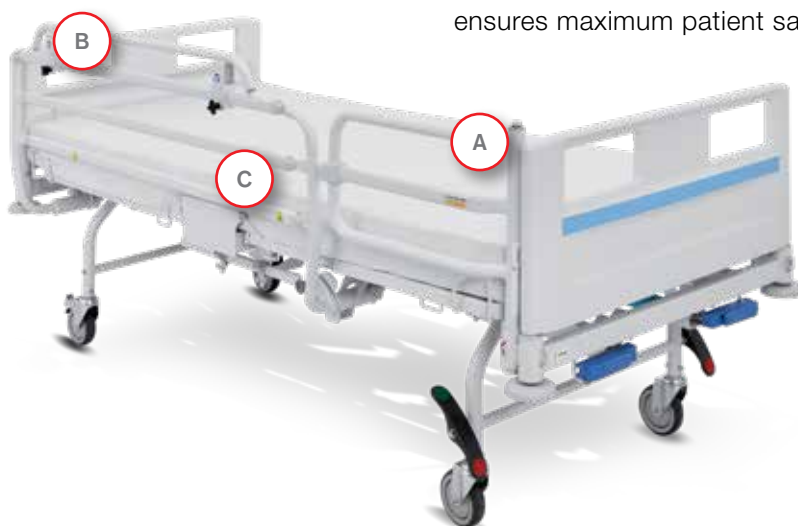
Protective corner bumpers and additional vertical bumpers



Accessory holder

FOR PATIENT SAFETY

Complete solution of side rails offers individual settings and ensures maximum patient safety.



Protector for the foot part of bed can be used with single and also split side rails.

A

Extender for single collapsible side rails to increase the possible max. height of the mattress.

B

Single collapsible side rails.

C

Technical data

BASIC SPECIFICATION	Praktika 1	Praktika 2
External dimensions	218 × 99.5 cm	218 × 99.5 cm
Mattress dimensions	200 × 90 cm	200 × 90 cm
Max. mattress height	16 cm / + 10 cm with the Extender	16 cm / + 10 cm
Mattress platform height	55 cm (fixed)	42–76 cm
Max. backrest angle	70°	70°
Max. thighrest angle	34°	34°
TR/ATR tilt	—	12° / 12°
Ergoframe® (backrest + thighrest)	10 + 6 cm	10 + 6 cm
Weight of bed	80 kg	120 kg
Safe working load (SWL)	200 kg	200 kg



Members of LINET Group

LINET spol. s r. o.

Želivčice 5 | 274 01 Slaný | Czech Republic
tel.: +420 312 576 400 | fax: +420 312 522 668 | e-mail: info@linet.com | www.linet.com

